



RVAR5-24

Valve actuator for 3-point control signal.
Force 500 N.

Valve actuator for control of MMV and MMR valves. The actuator can be operated manually.

- Protection class IP54
- Manual operation
- Automatic stroke adjustment

RVAR5-24 is a valve actuator intended for control of Regin's MMV and MMR valves.

Stroke and endpoint calibration

The stroke is set using DIP-switch 2. If the unit has been configured for fixed stroke, the actuator will first go to the fully closed end position. The position will be stored in memory and the 20 mm stroke will be calculated from this point so that any control signal that would force the actuator to run beyond the endpoints is ignored.

If the unit has been configured for free stroke, the actuator will first go to both endpoints of the stroke. The points will be stored in memory and the control will be calibrated so that any control signal that would force the actuator to run beyond the endpoints is ignored.

- Easy to mount the valve
- Stroke 10...30 mm (20 mm fixed stroke)
- Position indication

Indications

The actuator has two LEDs with indications according to the table below.

Indication	
Green steady light	Actuator working properly
Red and green steady light	End position reached (or actuator overloaded)
Red steady light	Operation faulty. Both G1 and G2 power supplied.

Technical data

Supply voltage	24 V AC \pm 15%, 50/60 Hz
Control signal	3-point
Power consumption	Max. 4.5 VA
Stroke	10...30 mm (20 mm fixed stroke)
Stroke time	3 s/mm
Force	500 N
Ambient temperature	0...50°C
Storage temperature	-40...80°C
Ambient humidity	10...90% RH
Protection class	IP54

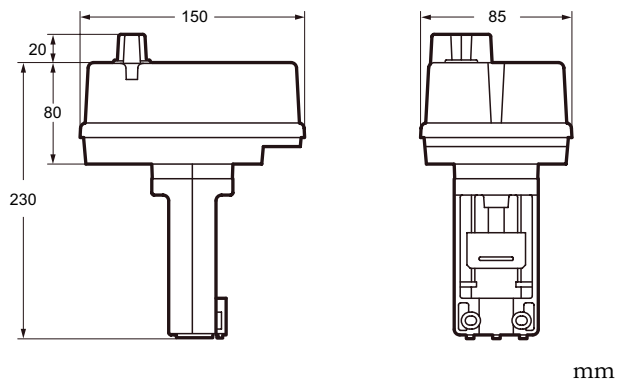
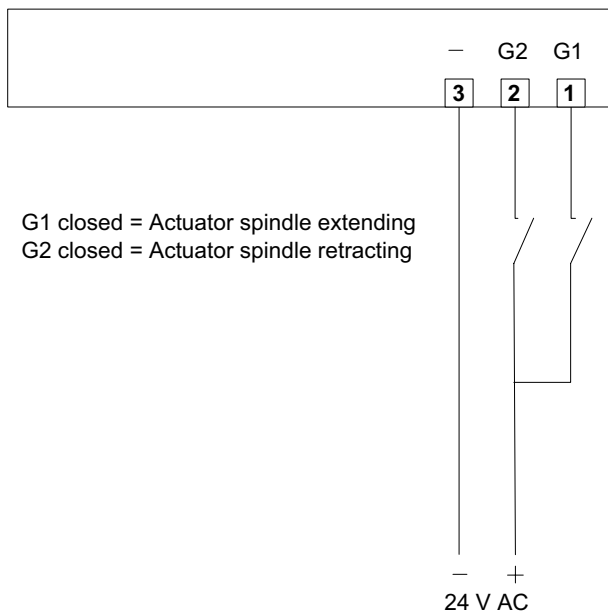


This product conforms with the EMC requirements of European harmonised standards EN60730-1:2000 and EN60730-2-8:2002 and carries the CE mark. It also conforms with the requirements of European LVD standards EN60730-1:2000 and EN60730-2-8:2002.

DIP-switches

	1 (On)	0 (Off)
SW1	(Reserved)	
SW2	Free stroke (auto adaptation, 10...30 mm) (factory setting)	Fixed stroke (20 mm)

Wiring and Dimensions



Head Office Sweden

Phone: +46 31 720 02 00
Web: www.regin.se
Mail: info@regin.se

Sales Offices

France: +33 1 41 71 00 34
Germany: +49 30 77 99 40
Spain: +34 91 473 27 65
Hong Kong: +852 24 07 02 81
Singapore: +65 67 47 82 33



THE CHALLENGER IN BUILDING AUTOMATION