



RRT025A

Room thermostat with fan switch

RRT025A is a wall mounted room thermostat for controlling fan coils. The thermostat has a switch for controlling fan speed. Another switch selects heating or cooling mode.

- Closing contact, 10 (3) A 250 V AC
- Cooling or heating function
- On-off switch

RRT025A is an electro-mechanical thermostat for room mounting. The sensing element is a pair of gas-filled bellows with a stainless steel membrane which reacts to a change in temperature by creating a movement which is transmitted to the switch. The thermostat can be used for cooling or heating application. RRT025A also has a fan switch with three positions.

Setpoint

The thermostat has a temperature range of 10...30°C.

- Fan switch with three positions
- Temperature range 10...30°C
- Easy to install

Mounting

The thermostat has mounting holes of cc 60 mm and can be mounted on a standard wallbox.

Applications

Can be used in fan-coil units, with cooling and/or heating function.

Technical data

Sensor element	Unipolar gas filled bellows
Ambient temperature	0...40°C
Storage temperature	-40...+50°C
Ambient humidity	Max 90% RH



This product carries the CE mark.
For more information, see www.regincontrols.com

Outputs

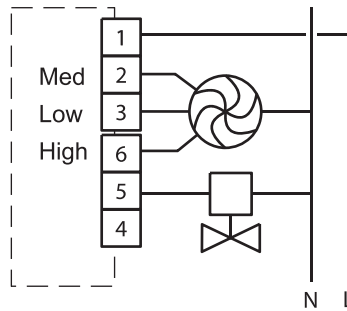
Thermostat	1 A 250 V AC. One closing contact.
Fan switch	10 (3) A 250 V AC (Total load, actuator + fan)

Settings

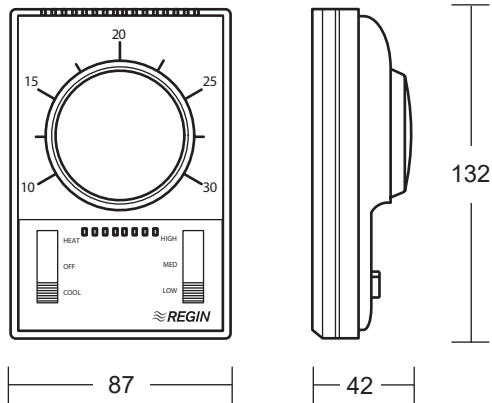
Setpoint	10...30 °C
Hysteresis	0.6 K, fixed
Protection class	IP20

Connection

1	Supply voltage 250 V AC
2	Fan, medium speed
3	Fan, low speed
4	Neutral
5	Heating / Cooling output
6	Fan, high speed



Dimensions



[mm]

Head Office Sweden
Phone: +46 31 720 02 00
Web: www.regin.se
Mail: info@regin.se

Sales Offices
France: +33 14 171 46 46
Hong Kong: +852 24 07 02 81
Singapore: +65 67 47 82 33
Germany: +49 30 77 99 40