

# RDAS35...

Damper actuator, 35 Nm



*Damper actuator without spring return, 35 Nm. For 3-point or 0...10 V control signal.*

- ✓ Torque 35 Nm
- ✓ For dampers up to 6m<sup>2</sup>
- ✓ 24 V and 230 V supply voltage
- ✓ 3-point or 0(2)-10 V control
- ✓ Manual override

## Application

The actuators are used in ventilation and air conditioning plants to operate air dampers and air throttles. The actuators can be used for damper areas up to 6m<sup>2</sup> and are friction-dependent

The damper actuators are suitable for modulating controllers (DC 0...10 V) or 3-point controllers, e.g. for outside air dampers.

## Function

When the supply voltage is connected, the actuator moves to a working position corresponding to the control signal (3-point or 0...10 V). The position indication is mechanical and electrical. The rotational angle range is self-adaptive and the auxiliary switches for supplementary functions are adjustable.

## Installation

The actuator is mounted on a mounting bracket. Choose the position carefully, for easy access of cables and setting elements. To double the torque, mount two actuators on the same damper, i.e. tandem-mounting.

For mounting, turn the actuator by 180° depending on the necessary rotary direction.

The mounting bracket (see dimensions) is required for mounting on the damper shaft. The insertion depth for the bolt into the housing must be sufficient and guaranteed.

The shaft adapter and all other individual parts are not premounted, as the actuator components are put together differently depending on either clockwise or counterclockwise rotation of the damper shaft and damper shaft length.

## HEAD OFFICE SWEDEN

Phone: +46 31 720 02 00

Web: [www.regincontrols.com](http://www.regincontrols.com)

E-mail: [info@regincontrols.com](mailto:info@regincontrols.com)

RDAS35...

— 1 (4) —

## Technical data

<b>Mounting</b>	Mounting bracket, interior, weather protected
<b>Torque</b>	35 Nm
<b>Max. damper size</b>	6.0 m <sup>2</sup>
<b>Running time, actuator</b>	125 s/90°
<b>Damper shaft, round</b>	8...25.6 mm
<b>Damper shaft, square</b>	6...18 mm
<b>Damper shaft, min. shaft length</b>	20 mm
<b>Damper shaft, hardness</b>	<300 HV
<b>Working angle, rotation</b>	90°
<b>Angle limitation</b>	95°
<b>Sound power level</b>	43 dB
<b>Cable length</b>	0,9 m (Maximum extension 300 m)
<b>Cable</b>	0,75 mm <sup>2</sup>
<b>Ambient humidity</b>	0...95% RH (non-condensing)
<b>Ambient temperature</b>	-32...55 °C
<b>Storage temperature</b>	-32...70 °C
<b>Protection class</b>	IP54



This product carries the CE-mark. More information is available at [www.regincontrols.com](http://www.regincontrols.com).

## All models

Article	Supply voltage	Power consumption	Control signal
RDAS35-230	230 V ~ (100...240 V ~ 50/60 Hz)	5 VA (5W)	3-point
RDAS35-24	24 V AC (20...28 V AC 50/60 Hz)	5 VA (5W)	3-point
RDAS35-24A	24 V AC (20...28 V AC 50/60 Hz)	5 VA (5W)	0...10 V

## Inputs

Positioning signal			
RDAS35-230	Operating voltage	Wires 3-4/L-N	open/close
	AC 100...240 V ~		
RDAS35-24	Operating voltage	Wires 1-2/G-G0	open/close
	AC 24V ~		
RDAS35-24A	Input voltage	Wires 8-2/Y-G0	DC 0/2...10 V
	Current consumption		0.1 mA
	Input resistance		>100kΩ
	Max. permissible input voltage		DC 35 V
	Protected against faulty wiring		max. AC 24 V ~

HEAD OFFICE SWEDEN

Phone: +46 31 720 02 00

Web: [www.regincontrols.com](http://www.regincontrols.com)

E-mail: [info@regincontrols.com](mailto:info@regincontrols.com)

RDAS35...

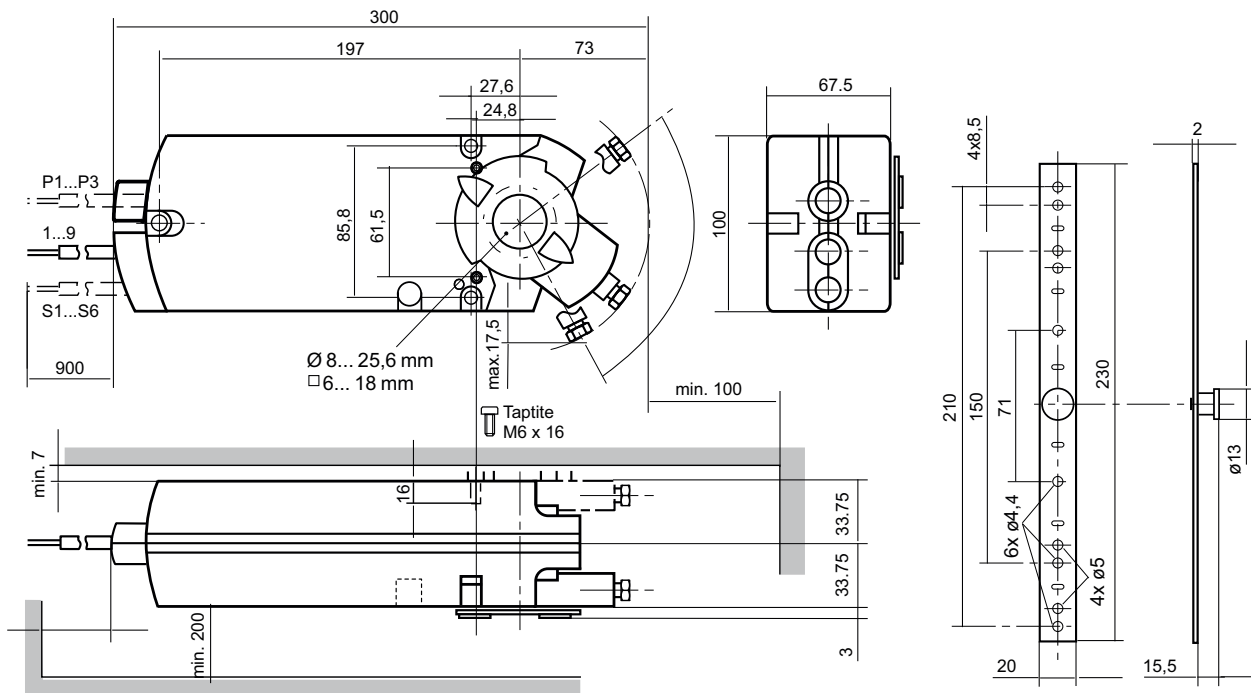
— 2 (4) —

  
THE CHALLENGER

## Accessories

Article	Description
ASK71.9	Damper crank arm for RDAS with torque 5-35Nm
ASC77.1E	External aux. switch (1) for RDAS with torque 7Nm, 18Nm, 20Nm and 35Nm
ASC77.2E	External aux. switch (2) for RDAS with torque 7Nm, 18Nm, 20Nm and 35Nm
ASK74.7	Shaft extension for RDAS with torque 7-35Nm

## Dimensions



[mm]

## Wiring

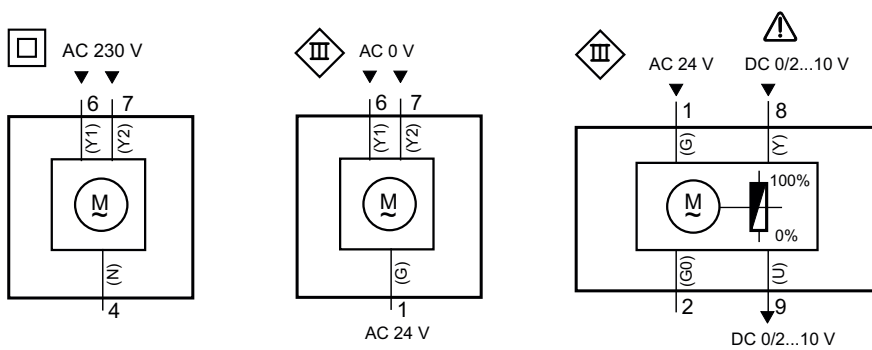
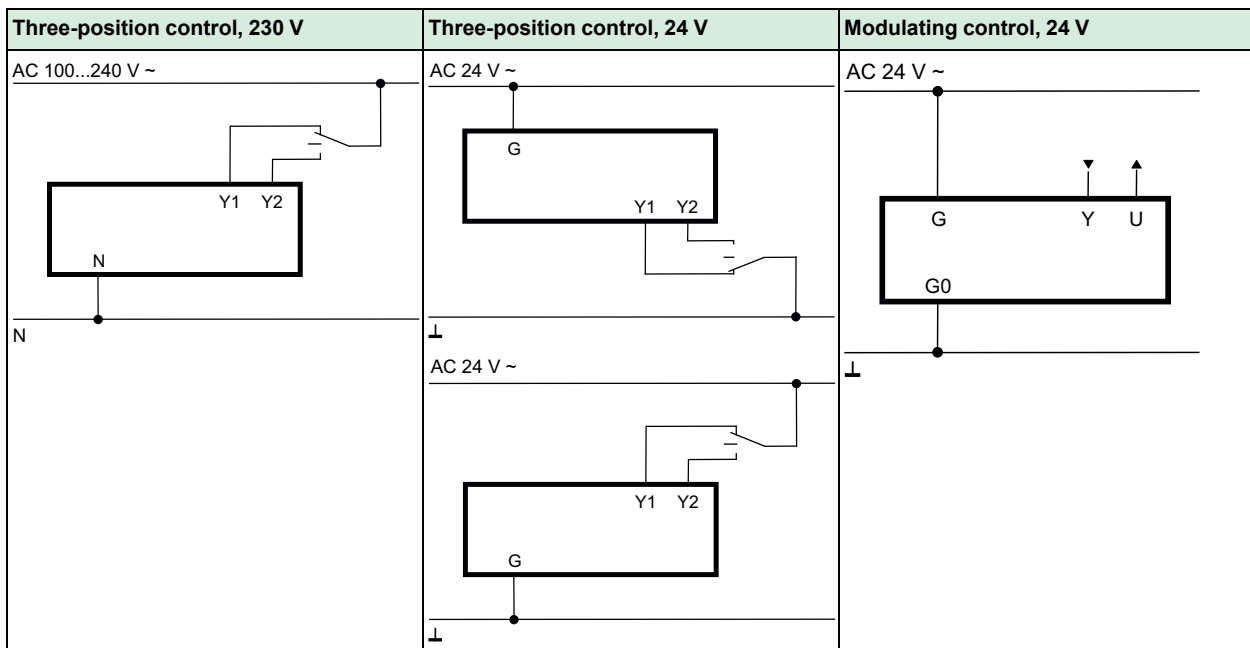


Fig. 1 230 V, 3-point (left); 24 V, 3-point (middle); 0-10 V, 3-point (right)

## Extended wiring



## Cable labelling

Connection	Code	No.	Color	Abbreviation	Description
Actuators AC 100...240 V ~	N	4	blue	BU	Neutral conductor
	Y1	6	black	BK	Positioning signal AC 100...240 V "clockwise"
	Y2	7	white	WH	Positioning signal AC 100...240 V "counter clockwise"
Actuators AC 24 V ~	G	1	red	RD	System potential AC 24V
	G0	2	black	BK	System neutral
	Y1	6	purple	VT	Positioning signal AC/DC 0 V "clockwise"
	Y2	7	orange	OG	Positioning signal AC/DC 0 V "counter clockwise"
	Y	8	grey	GY	Signal in
	U	9	pink	PK	Signal out

## Documentation

All documentation can be downloaded from [www.regincontrols.com](http://www.regincontrols.com).