



MTIBL90H

Boiler thermostat

MTIBL90H is a high quality electro-mechanical thermostat for use in boiler systems.

- ✓ Well suited for use in heavily polluted or industrial applications
- ✓ Protection class IP54
- ✓ Breaking capacity 16 A at 250 V AC
- ✓ Hidden setpoint screw with wide range
- ✓ Fixed hysteresis

The MTIBL90H electro-mechanical thermostat is constructed around a fluid-filled capillary tube and sensor housing that transfers the changes in temperature to micro-switch with SPDT contacts. The micro-switch is capable of breaking up to 16 A at 250 V AC.

MTIBL90H is intended for use in temperature control in boilers and heaters.

The thermostat is delivered with an immersion well (DR-30/14) for easy mounting and commissioning.

Setpoint adjustment

Setpoint adjustment is performed via a screw mounted under the cover.

Technical data

Sensor element	Liquid-filled copper bulb
Contacts	Dust-tight microswitches with SPDT contacts (heat/cool)
Breaking capacity	16 (6) A, 24...250 V AC
Temperature range	0...90°C
Hysteresis	4±1 K
Max. bulb temperature	120°C
Ambient temperature	-35...+65°C
Ambient humidity	10...90 % RH (non-condensing)
Housing	Bayblend® base, ABS cover
Protection	IP54, class I
Weight	560 g

CE

Low Voltage Directive (LVD) standards & EMC emissions & immunity standards:

This product conforms to the requirements of the European Low Voltage Directive (LVD) 2014/35/EU through product standards EN 60335-1.

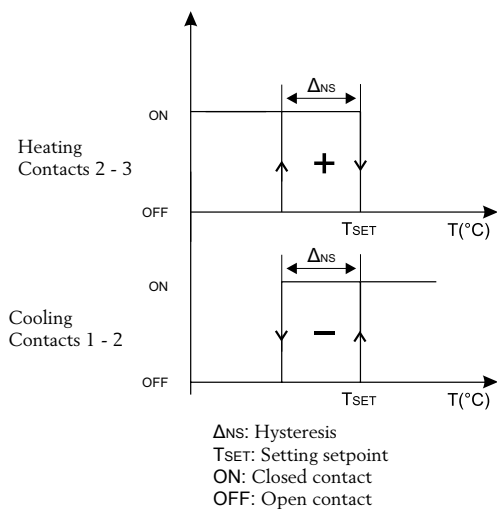
RoHS:

This product conforms to the Directive 2011/65/EU of the European Parliament and of the Council.

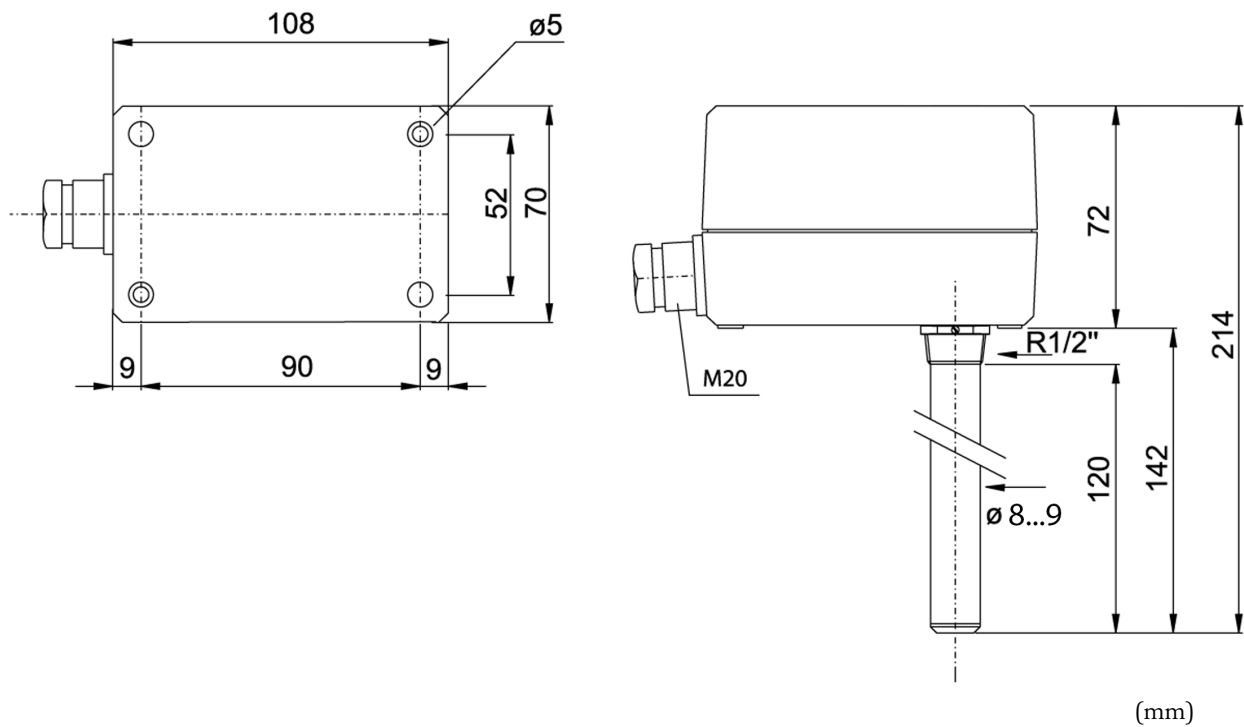
Accessories

Article	Description
DR-30/14	Brass immersion well 120 mm, Øexternal 8 mm, Øinternal 7 mm, connection R 1/2"
DR-31/14	Stainless steel AISI 304 immersion well 120 mm, Øexternal 9 mm, Øinternal 7 mm, connection R 1/2"
DR-40/14	Brass immersion well 108 mm, Øexternal 16 mm, Øinternal 15 mm, connection R 1/2"
DR-41/14	Stainless steel AISI 304 immersion well 120 mm, Øexternal 16 mm, Øinternal 15 mm, connection R 1/2"

Logic activation



Dimensions



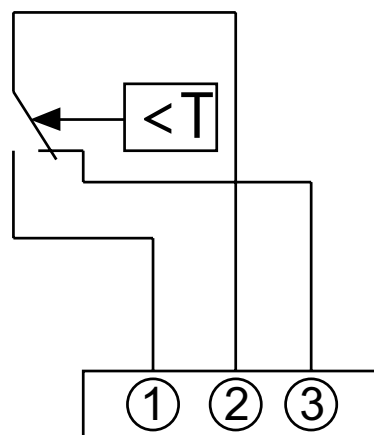
Wiring

Heating

Connect to terminal 2 and 3. The contact will open when the temperature rises.

Cooling

Connect to terminal 1 and 2. The contact will open when the temperature drops.



Product documentation

Document	Description
MTIBL90H instruction	Instruction for installation of MTIBL90H

The product documentation can be downloaded from www.regincontrols.com