

IRW

Wireless motion detector



GO WIRELESS **READY STEADY GO**

IRW is a high quality IR motion detector in the Regin Go Wireless-concept. The detector maintains a stable and highly sensitive level of detection regardless of changes in the environment. It has a communication range of up to 300 meters in open space.

- ✓ Long battery life
- ✓ Fast signal transmission
- ✓ For surface or corner mounting
- ✓ Stable and sensitive detection with a wide detection range
- ✓ Easy to install

Application

IRW detects motion within an area and sends signals to a receiver to activate for example ventilation or heating. It is designed to work with a Regin wireless receiver with Modbus communication.

Function

The detector delivers high speed signal transmission and is designed to effectively reduce signal collisions. It has superior white light, noise and radio interference rejection.

The detection is stable and highly sensitive regardless of changes in the environment since it is controlled using advanced Adaptive Digital Signal Processing (ADSP) algorithms.

IRW works as a two-way radio signal transmitter and will send signals to the receiver until it gets acknowledgement that the signal is received. There are randomized

supervision signals for system integrity checks and troubleshooting.

The detector comes in a white housing and has a tamper-proof design. It is insect- and dirt-proof. There is a clearly visible LED indicator that indicates low battery. In order to save battery, the detector only communicates with the receiver when necessary. If there is a continuous movement in the detection area, the detector will only transmit the information to the receiver once. After that the detector regularly verifies if the state has changed. As long as nothing changes, no communication takes place between the detector and the receiver.

Installation

The detector can be mounted in a corner or on a flat surface. It is easy to install and move which makes it very flexible. For optimal detection range, the detector should be mounted at a height of 2 meters above the ground. See *Fig. 1*, under *Detection area*.

HEAD OFFICE SWEDEN

Phone: +46 31 720 02 00

Web: www.regincontrols.com

E-mail: info@regincontrols.com

IRW

— | —

Technical data

Supply voltage	CR123A 3V lithium battery, 1500 mAh x 1 (included at delivery)
Battery life	6 years ¹
Range, detection	12 m over 110° angle (2 m mounting height)
Range, communication	Up to 300 m (open space)
Frequency	868 MHz
Ambient temperature	-10...+50 °C
Ambient humidity	Max. 85 % RH, non-condensing
Protection class	IP20
Dimensions, external (WxHxD)	64 x 94 x 42 mm
Weight, incl. packaging	0.13 kg

1. Battery life is calculated at an average of 20 activations per day



This product carries the CE-mark. More information is available at www.regincontrols.com.

Accessories

Article	Description
RCW-M	Wireless receiver with Modbus communication, 16 sensors and detectors
RCW-M32	Wireless receiver with Modbus communication, 32 sensors and detectors

Detection area

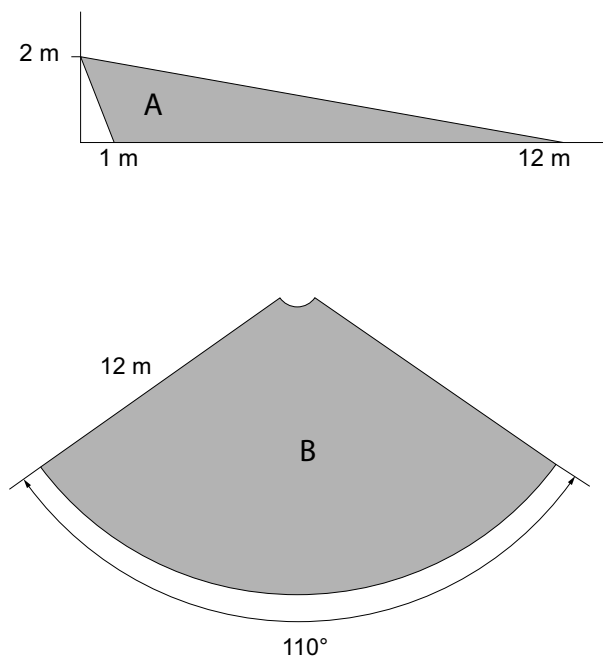


Fig. 1 Detection area, A = Side view, B = Top view

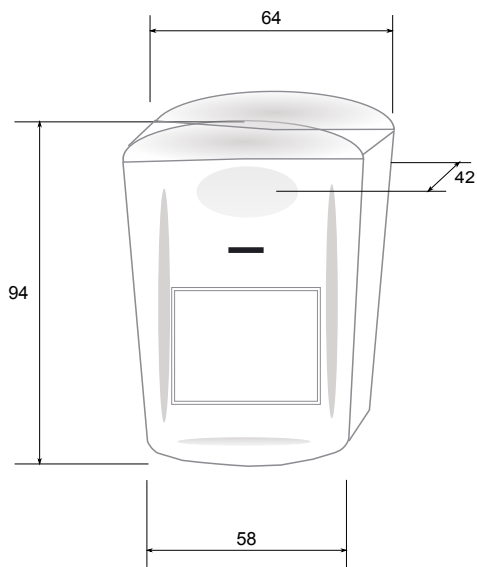
HEAD OFFICE SWEDEN

Phone: +46 31 720 02 00
 Web: www.regincontrols.com
 E-mail: info@regincontrols.com

IRW

— 2 —

Dimensions



[mm]

Documentation

All documentation can be downloaded from www.regincontrols.com.