



# HVS

## Weather shield

Weather shield for outdoor mounting of Regin's HTWT10(-420) humidity and temperature transmitters.

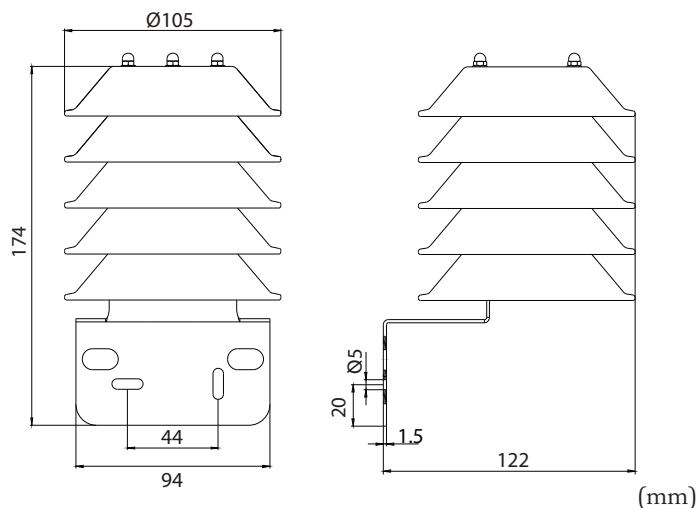
HVS is a weather shield for outdoor mounting of Regin's HTWT10 and HTWT10-420 transmitters. The weather shield is designed so as to create air circulation around the sensor element, thereby ventilating it to prevent overheating during strong sunlight.

The weather shield is delivered with a mounting plate for quick and simple mounting of HTWT10(-420).

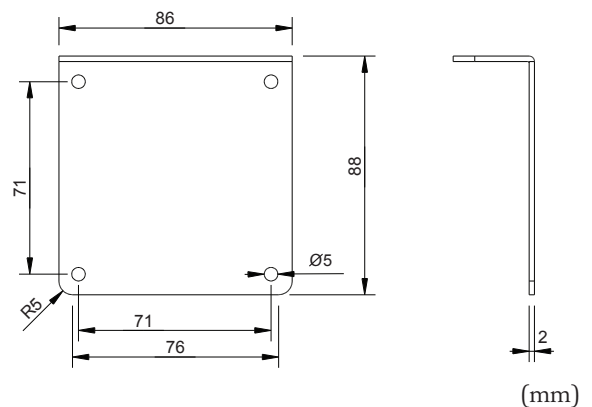
### Short facts about HVS

- Durable, robust design
- Protects against both precipitation and solar radiation
- Requires no maintenance
- Includes mounting plate for mounting of Regin's HTWT10(-420) transmitter series

### Dimensions, weather shield



### Dimensions, mounting plate



### Product documentation

The document can be downloaded from [www.regincontrols.com](http://www.regincontrols.com).

#### Head office Sweden

Phone: +46 31 720 02 00

Web: [www.regincontrols.com](http://www.regincontrols.com)

Mail: [info@regin.se](mailto:info@regin.se)