



HTRT2500-2

Combined humidity/temperature transmitter for wall mounting

Transmitter for measuring temperature and relative humidity.

- Output signal 0...10 V DC, as well as passive PT1000
- Supply voltage 24 V AC or 15...35 V DC
- Protection class IP65

HTRT2500-2 has a capacitive thin-film element that provides a signal proportional to the relative humidity. The transmitter has a high degree of accuracy. The measuring element responds quickly to changes in humidity.

The transmitter has excellent long-term stability and a low hysteresis. It can withstand up to 100 % RH (condensing) without accuracy being affected.

Filter

The transmitter sensor element is protected by a membrane filter. This can be changed to a sintered brass filter, which is recommended if operating in an environment with a high degree of pollution.

- High accuracy
- Short reaction time
- Long-term stability

Output signal

The two output signals for humidity and temperature are 0...10 V. The transmitter also has a passive PT1000-signal.

Supply voltage

The transmitter uses a supply voltage of either 24 V AC or 15...35 V DC. The transmitter will automatically detect and adapt to the supply voltage connected.

Housing

The transmitter has a Polycarbonate housing.

Technical data

Supply voltage	24 V AC +/- 20 % or 15...35 V DC
Power consumption	15 mA (0...10 V output signal)
Output signal	Max. load 1 mA (0...10 V)
Cable connection	Screw connector
Material housing	Polycarbonate (PC)
Weight	0.2 kg
Ambient temperature	-5...+50°C
Storage temperature	-25...+60°C
Protection class	IP65
.	.
.	.

CE This product carries the CE mark.
For more information, see www.regincontrols.com.

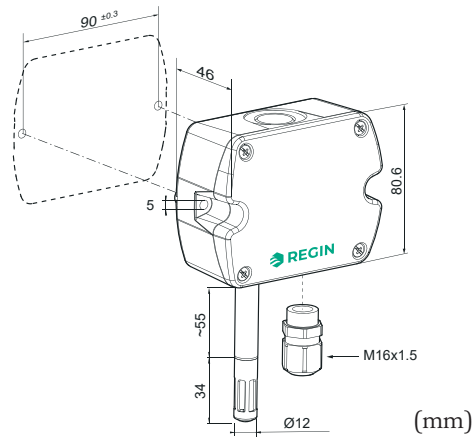
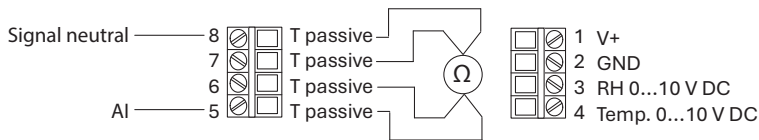
Humidity

Sensor element	Capacitive thin-film element, HCT01
Measuring range	10...95 % RH
Output signal	0...10 V DC, corresponding to 0...100 % RH
Accuracy	+/- 2.5 % RH at 20°C
Temperature dependency	Less than +/- 0.03 % RH/°C (at 60 % RH)

Temperature

Sensor element	MO1K (DIN class A according to IEC751)
Measuring range	0...50°C
Output signal	0...10 V, corresponding to 0...50°C
Accuracy	+/-0.3°C at 20 °C

Wiring and dimensions



Product documentation

The document can be downloaded from www.regincontrols.com