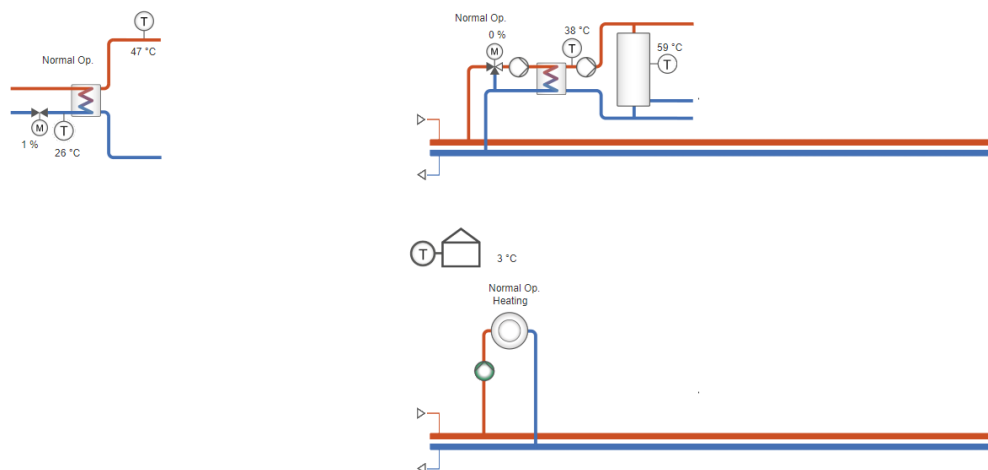


Example 118

Function-description: District Heating system (3-point), Hot Water 1 (storage tank + PI-load-supply), unmixed Heating system 1



Outdoor temperature	AI1		N	
	AI2		L	
	AI3		C7	
HW1 tank middle temp.	AI4		DO7	HW1 tank pump A
HW1 supply temp.	UI1			
DHS supply temp.	UI2		DO6	DHS valve close
DHS primary ret. temp.	UI3		C5-6	
	UI4		DO5	DHS valve increase
	DI1			
	DI2		DO4	HW1 valve close
	AO1		C3-4	
	AO2		DO3	HW1 valve open
	Agnd			
	AO3		DO2	HW1 exch. pump A
	M-B		C1-2	
	M-A		DO1	HS1 Pump A

Terminal connection

Available for: HCV191DW-2, HCV192DW-2, HCV203DWM-2

Application tool - file: 118_HCVxxxxx_DH3p_HWTS_HS3p