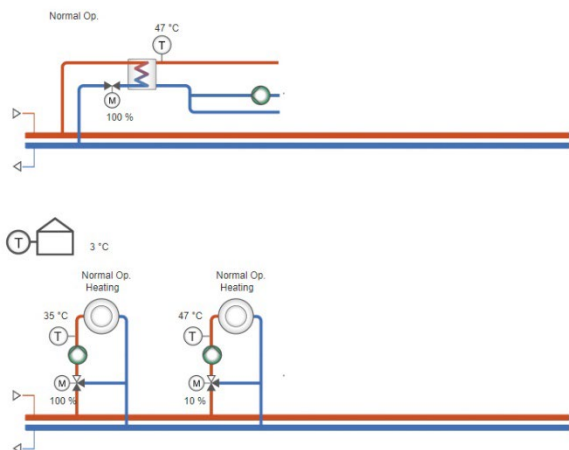


### Example 004

Function description: Hot Water 1 (supply), mixed Heating system 1 (cont.), mixed Heating system 2 (cont.)



	G	1	G	50	
	G0	2	G0	51	P1 B
	Gnd	3	+	52	P1 A
	+C	4	-	53	P1 N
	Gdo	10	+C	53	P1 E
HS1 pump A	DO1	11	Gp0	53	P2 B
HS2 pump A	DO2	12	DO1	60	P2 A
HW1 circ. pump A	DO3	13	DO2	61	P2 N
	DO4	14	DO3	62	P2 E
	DO5	15	DO4	63	
	DO6	16	DO5		
	DO7	17	DO6		
	DO7	30	DO7		
	Agnd	31	Agnd		Ext D
Outdoor temperature	AI1	32	AI1	71	DI1
HS1 Supply temp.	AI2	33	AI2	72	DI2
	Agnd	34	Agnd	73	DI3
HS2 Supply temp.	AI3	35	AI3	74	DI4
HW1 supply temp.	AI4	35	AI4	75	DI5
	Agnd	40	Agnd	76	DI6
	UI1	41	UI1 : AI5/DI9	77	DI7
	UI2	42	UI2 : AI6/DI10	78	DI8
	UI3	43	Agnd		
	UI4	44	UI3 : AI7/DI11	90	Agnd
		45	UI4 : AI8/DI12	91	AO1
				92	AO2
				93	AO3
				94	AO4
				95	AO5
	TCP				

Terminal connection

Available for: HCA152W-4, HCA152DW-4, HCA282DW-4, HCA283WM-4, HCA283DWM-4

Application tool - file : 004\_HCAxxxxx\_HWSu\_HSco\_HSco