

# DTV...X

Differential pressure switch for air and non-corrosive gases



Differential pressure switch for supervising air handling units, fans, filters or to control defrosting functions.

- ✓ For differential pressure up to 5000 Pa
- ✓ Lowest setpoint value is 20 Pa (DTV300X)
- ✓ Compact design
- ✓ Excellent long-term stability
- ✓ Easy installation and mounting
- ✓ Can be used at temperatures down to -20°C

## Application

DTV...X is a pressure switch for supervision of air or non-aggressive, non-flammable gases in air handling systems. The device may be used in, for instance, the following applications:

- ✓ Air filters and air handling units
- ✓ Industrial air cooling circuits
- ✓ Fan overheating protection
- ✓ Ventilation duct flow monitoring
- ✓ Air control and fire protection dampers
- ✓ Heat exchanger frost protection systems

## Function

The pressure connected to the high pressure point inlet (P1) is compared to the low pressure connected to P2.

When the differential pressure exceeds the setpoint value, the contact will close or open.

When the pressure switch is used to supervise a fan, it is possible to leave the P2 pressure connection (for atmospheric pressure) open.

## Installation

The setpoint value is set using a knob under the lid, with the setpoint value visible through the lid. The lid is secured with a single screw to facilitate mounting and service.

The device hysteresis is pre-set upon delivery.

DTV...X has 3 internal AMP flat plug connectors located under the plastic cover. 3 push-on screw terminals are included upon delivery for easy connection.

## HEAD OFFICE SWEDEN

Phone: +46 31 720 02 00

Web: [www.regincontrols.com](http://www.regincontrols.com)

E-mail: [info@regincontrols.com](mailto:info@regincontrols.com)

DTV...X

— | —

**REGIN**  
THE CHALLENGER

## Technical data

<b>Media</b>	Air and non-corrosive gases
<b>Ambient temperature</b>	-20...+85 °C
<b>Storage temperature</b>	-40...+85 °C
<b>Max. overload pressure</b>	10 kPa
<b>Switch capacity</b>	Over 10 <sup>6</sup> switching operations
<b>Protection class</b>	IP54
<b>Accessories, included</b>	Two pressure outlets (cut 60°) and 2 m plastic tube. Art. no.: ANS-1
<b>Relay output</b>	Max. 1.5 A (0.4 A), 250 V AC, change-over contact
<b>Cable connection</b>	AMP flat pin, 6.3 x 0.8 mm in accordance with DIN 46244. Cable gland with cable strain relief
<b>Pressure connection</b>	Connection pipes for 6 mm tube P1 (+) connects to higher pressure, P2 (-) to lower pressure
<b>Weight, incl. packaging</b>	0.17 kg



This product carries the CE-mark. More information is available at [www.regincontrols.com](http://www.regincontrols.com).

## Material

<b>Material, sensor housing</b>	Polystyrene
<b>Material, membrane</b>	Silicone
<b>Material, mounting bracket</b>	Galvanized stainless steel

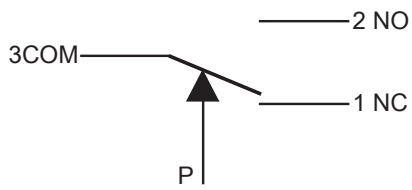
## Models

Article	Working range, pressure	Hysteresis
DTV300X	20...300 Pa	10 Pa ± 15 %
DTV500X	50...500 Pa	20 Pa ± 15 %
DTV1000X	200...1000 Pa	100 Pa ± 15 %
DTV2500X	500...2500 Pa	150 Pa ± 15 %
DTV5000X	1000...5000 Pa	250 Pa ± 15 %

## Accessories

Article	Description
ANS-1	Two pressure outlets (60° cut) and 2 m plastic tube
DBZ-14A	Set with mounting bracket and screws (S-shaped)
DBZ-14B	Set with mounting bracket and screws (L-shaped)

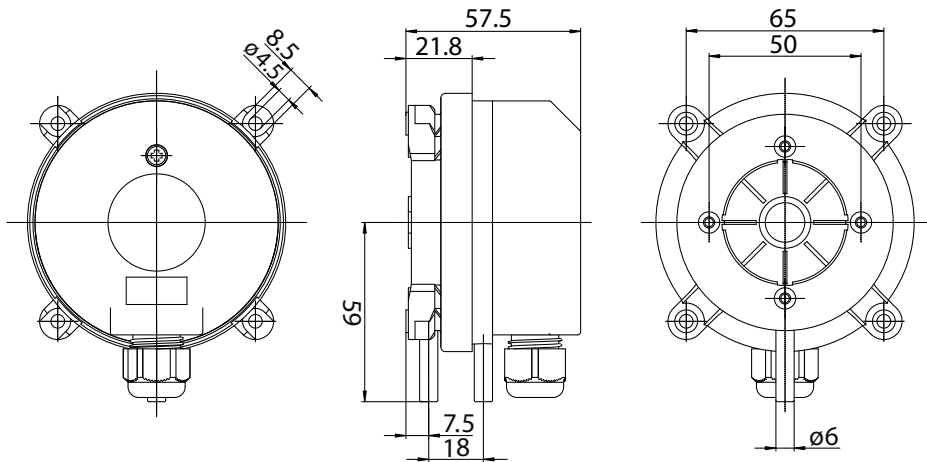
## Wiring



1 = Normally Closed (NC)  
 2 = Normally Opened (NO)  
 3 = Common (COM)

## Dimensions

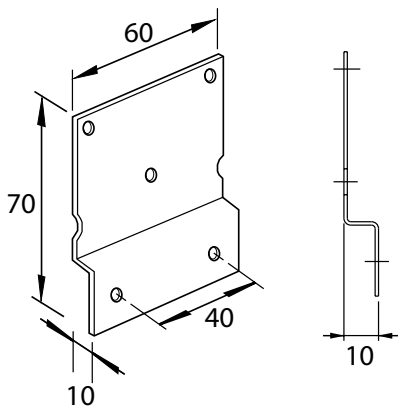
### Dimensions, pressure switch



[mm]

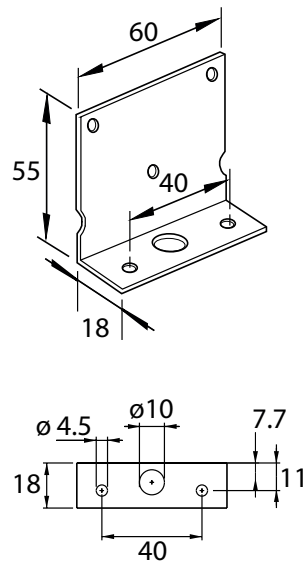
### Dimensions mounting brackets

DBZ-14A:



[mm]

DBZ-14B:



## Documentation

All documentation can be downloaded from [www.regincontrols.com](http://www.regincontrols.com).