



ROOM CONTROLLERS WITH 0-10 V OUTPUTS FOR 4-PIPE SYSTEMS

DB-TA-345

FUNCTION

- 4-pipe fan coil control for room temperature applications with:
- knob for temperature setting;
 - 2 proportional 0...10 Vdc output with dead zone (ZN);
 - manual selection of On/Off and 3 motor speed (depending on models);
 - internal or remote temperature sensor (optional).

TYPE	ON/OFF	3-SPEED	LOCAL S/W
DB-TA-345-139	•	•	zn
DB-TA-345-199	•		zn
DB-TA-345-999			zn

zn dead zone

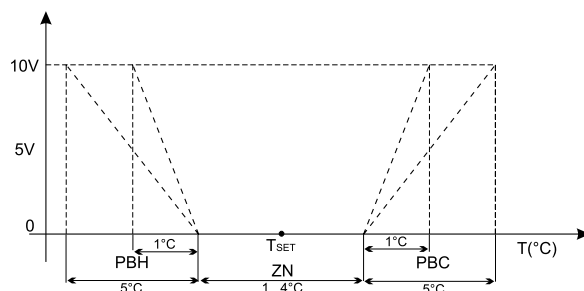
On request:

optional remote 2 m cable sensor, selectable by jumper; ordering code: NT0220-NTC100.

TECHNICAL DATA

Power supply: 24 Vac \pm 10%, 50/60 Hz
Max load: 6 A (speed)
Outputs: 2 proportional 0...10 Vdc ($R_L > 10$ kOhm)
Power cons: 1 W
Sensor: NTC 100K
Setpoint: +5...+30 °C; mechanical limitation of the setpoint adjustment
Prop. band: 1...5 K
Dead zone: 1...4 K
Working: 0...+40 °C;
 10...90% r.h. (without condensing)
Storage: -20...+70 °C
 < 95 % r.h.
Housing: ABS fireproof according to UL94 V-0 color (RAL 9010)
Protection: IP30, class II
Dimension: 144 x 82 x 34 mm
Weight: 210 g

Working logic



Jumper setting:

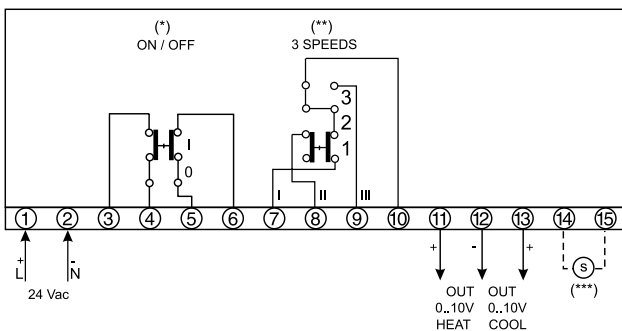
- J1 closed = internal sensor
- J2 closed = remote sensor

The products are factory supplied with internal sensor jumper setting.

WIRING DIAGRAM

Terminal connections for 4-pipe air conditioning and heating systems.

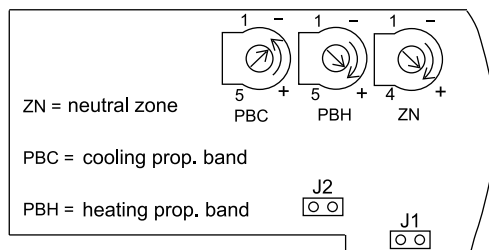
The On/Off and 3 speed switches are electrically independent from thermostat and are directly connected to terminals.



(*) only for models DBTA-345-139, DBTA-345-199

(**) only for models DBTA-345-139, DBTA-345-939

(***) remote sensor (optional)



Application examples of the terminal connections:

the On/Off switch drives the start-up of the thermostat and the motor is always powered;

the On/Off switch drives the start-up of the motor.

