



## ANS-3

2 pressure outlets and 2 m plastic tube

Outlets for measuring pressure in a ventilation duct.

- ✓ 90° angled metallic outlet
- ✓ 90° angle at the tip

### Function

The outlet is used when the plastic tube needs to follow along with the duct.

For optimal measuring results, measuring points with turbulent air flow should be avoided. Preferably, measuring should be performed at a distance of 2 duct diameters before bends and branching and at 6 duct diameters after bends and branching.

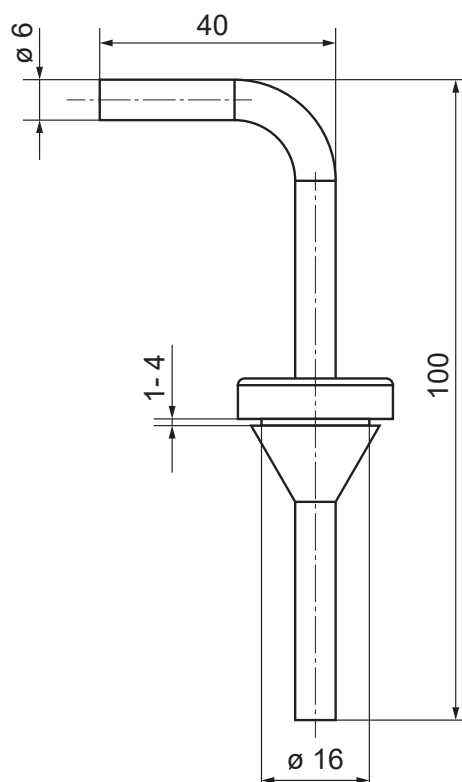
### Mounting

The pressure outlet will be mounted through a plastic bushing that is fastened in the duct. The wall thickness of the duct can be between 1 and 4 mm.

To mount the pressure outlet:

1. Drill a  $\varnothing 16$  mm hole in the duct wall
2. Put the bushing in the hole with the flat side facing you
3. Put the pressure outlet through the middle of the bushing and adjust the insertion length

### Dimensions



Measurements in mm