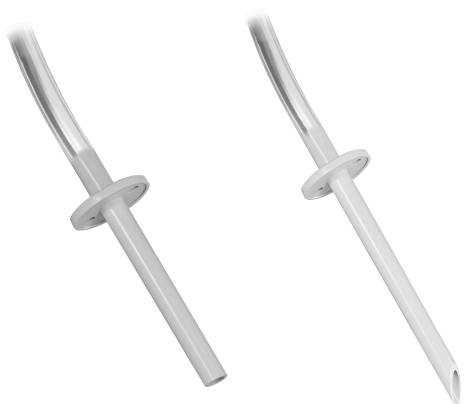


ANS-1/ANS-20

2 pressure outlets and 2 m plastic tube



Outlets for measuring pressure in a ventilation duct.

- ✓ Plastic
- ✓ 60° or 90° angle at the tip

Function

For optimal measurement accuracy, locations with turbulent airflow shall be avoided. Measurements should preferably be conducted at a distance of two (2) duct diameters upstream of bends and branches, and six (6) duct diameters downstream of such disturbances.

Application

Air speed	ANS-1 (angled tip)	ANS-1 (straight tip)
0 - 3 m/s	No disadvantage, but no clear benefit	Recommended, due to easy mounting
3 - 5 m/s	Minor advantage	Recommended, due to easy mounting
> 5 m/s	Recommended for use	Not recommended
> 10 m/s	Essentially a requirement	Not recommended

Mounting

The pressure outlet shall be mounted so the arrow on the outlet corresponds with the air flow through the duct.

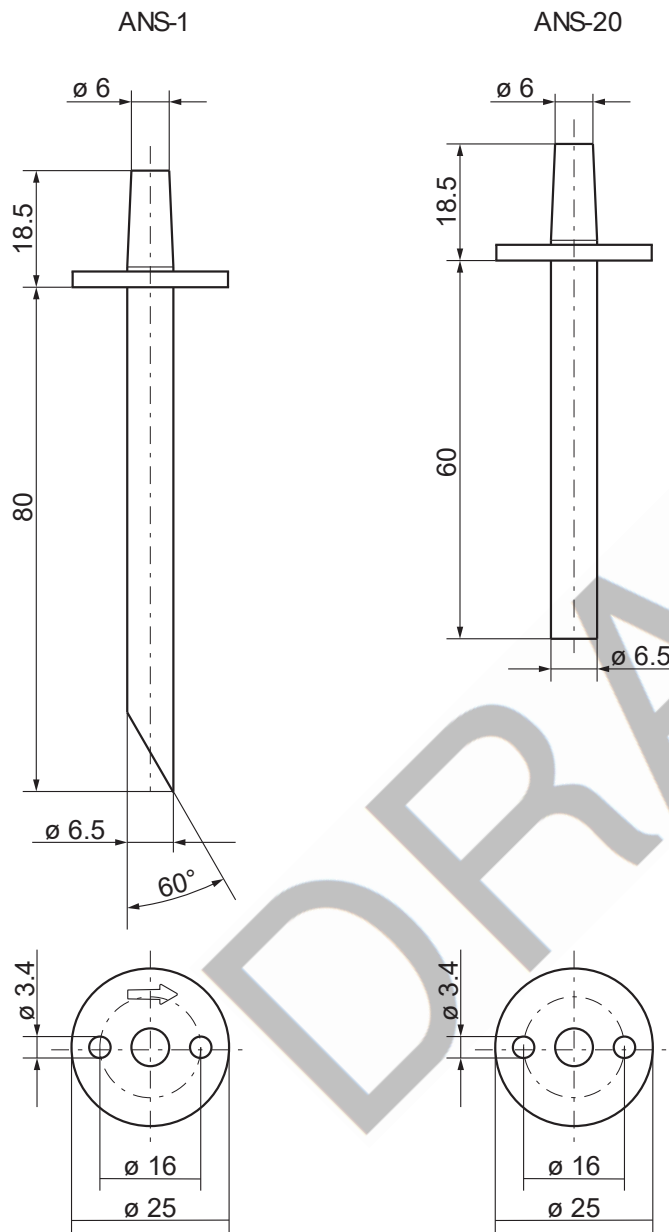


This product carries the CE-mark. More information is available at www.regincontrols.com.

Models

Article	Angle	Probe length (mm)
ANS-1	60° angle at the tip	80
ANS-20	90° angle at the tip	60

Dimensions



[mm], unless otherwise specified

Documentation

All documentation can be downloaded from www.regincontrols.com.