



ALH230A

Room humidity controller

Controller with a 0...10V output signal for control of e.g. an EC fan or damper.

- ✓ Humidity sensor and controller
- ✓ Settable for humidification or dehumidification
- ✓ Adjustable setpoint and P-band
- ✓ Discreet, stylish design suitable for all indoor environments

Combined sensor and controller

ALH230A is a stand-alone unit containing both a humidity sensor and a controller. This enables you to save on component costs, resulting in a cheaper, easier installation.

Simple, easy handling

ALH230A has a reversible output signal that permits control of either humidification or dehumidification. The control mode is changed simply by moving a jumper. The setpoint is easily set inside the casing by using a rotary switch.

Straightforward mounting

The unit is intended for mounting on a standard device box and powered by 230 V. No transformer is required.

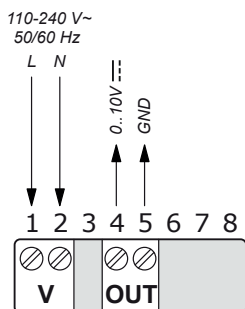
Technical data

Supply voltage	110...240 V AC, 50/60 Hz
Power consumption	Max. 0.46 W
Ambient temperature	0...50°C
Ambient humidity	10...90 % RH (non-condensing)
Protection class	IP30
Outputs	1 analogue output 0...10 V (RL > 10 K)
Dimensions (WxHxD)	88 x 100 x 30.5 mm
Mounting	Wall
Colour	Signal white RAL 9003

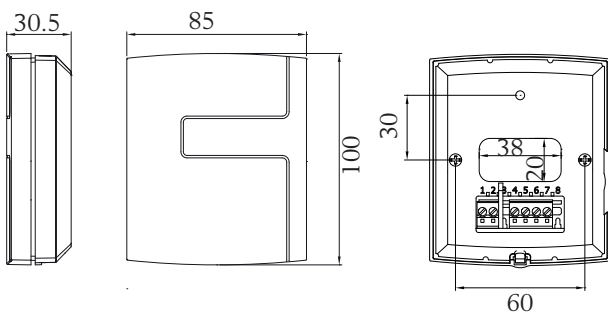
CE

This product carries the CE-mark. More information is available at www.regincontrols.com.

Wiring



Dimensions



Product documentation

The product documentation can be downloaded from www.regincontrols.com.